

# Windows and Exterior Doors

---

Preparation for NCCER Exam 27109-06

# Wooden Windows

---



- **Ponderosa Pine** is the wood most commonly used in the manufacture of wood frame windows.





# Wood vs. Aluminum

---



- The advantage of wood over aluminum [windows] is that it **does not conduct heat as readily.**



# Parts of a Window

---

- Stile



Sash



# Parts of a Window

---

- Muntin



Sash

# Types of Windows

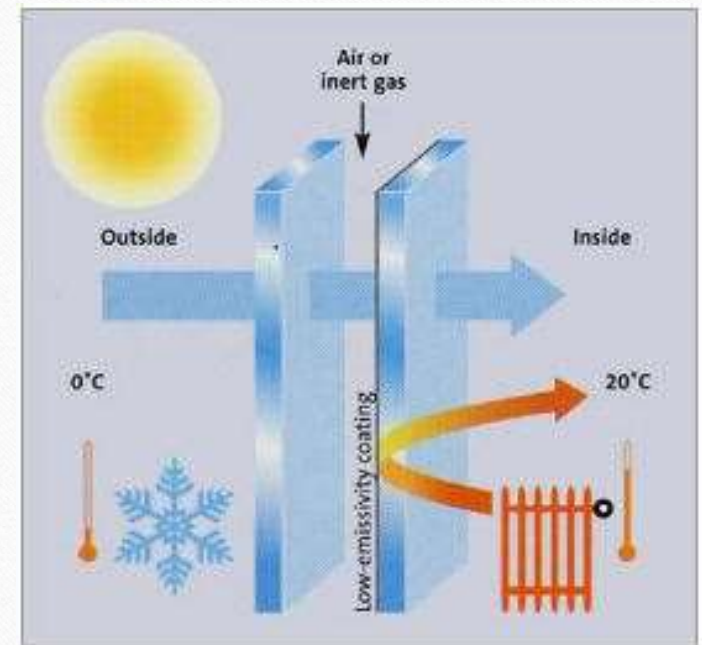
- The **casement** window is hinged on the left or right and is usually operated by a hand crank.





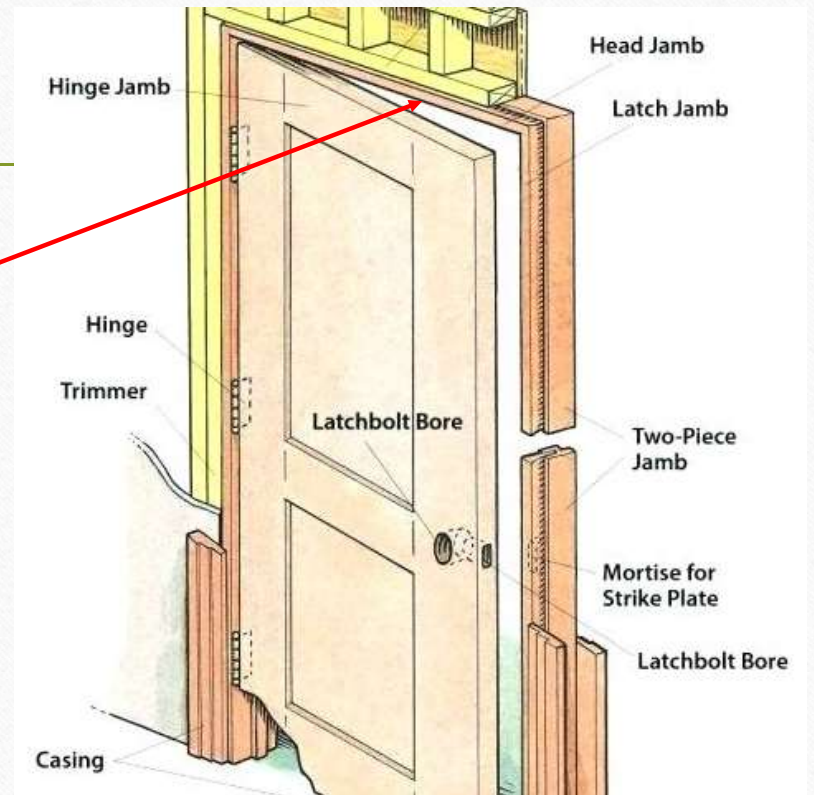
# Window Efficiency

- It is *not* true that windows affect the cost of heating a building, but have no affect on the cost of cooling.



# Parts of a Door

- The top horizontal part of a door frame is known as the **head jamb**.





# Parts of a Door

---

- The horizontal member at the bottom of a door frame is known as the **threshold**.



# Types of Doors

---

- Panel Door Style
  - Panel doors can have any number of panels.





# Types of Doors

---

- Dutch Door Style

*Exterior View*

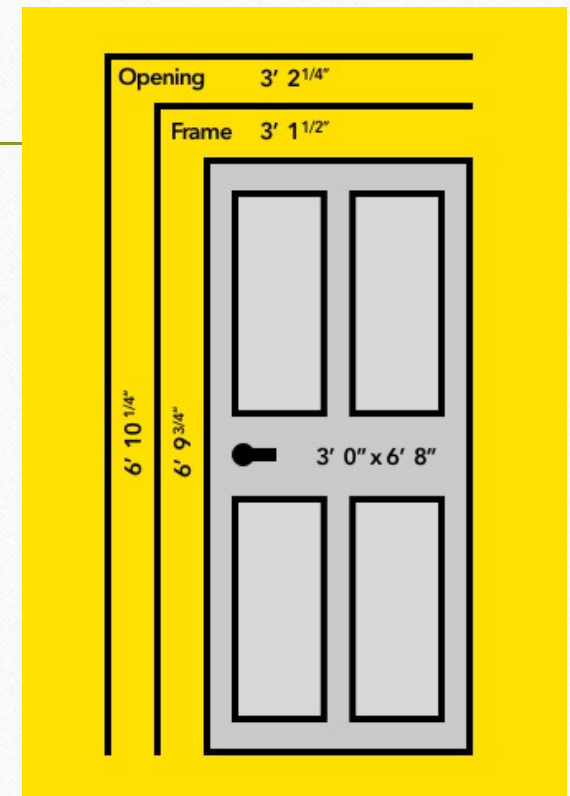


*Interior View*



# Door Dimensions

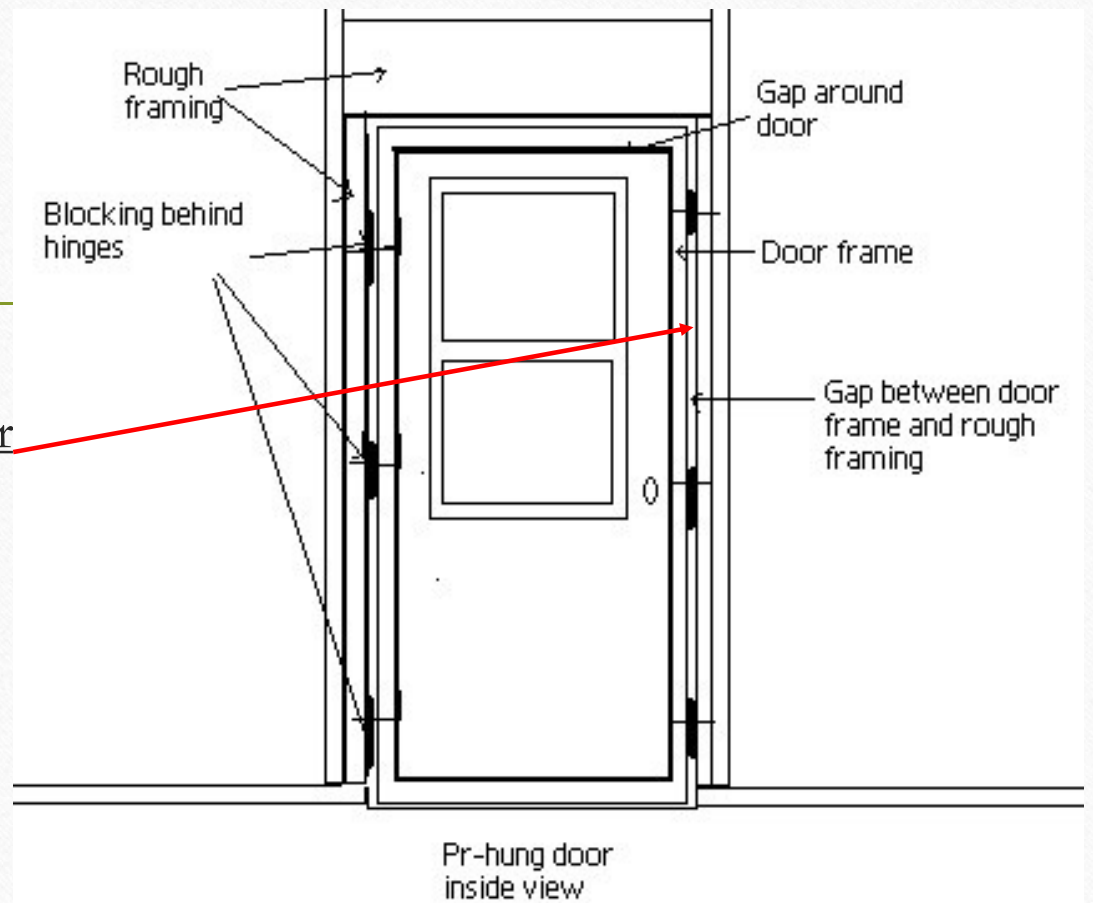
- The standard width for a main entry door is **36"**
  - *as in "3068"*





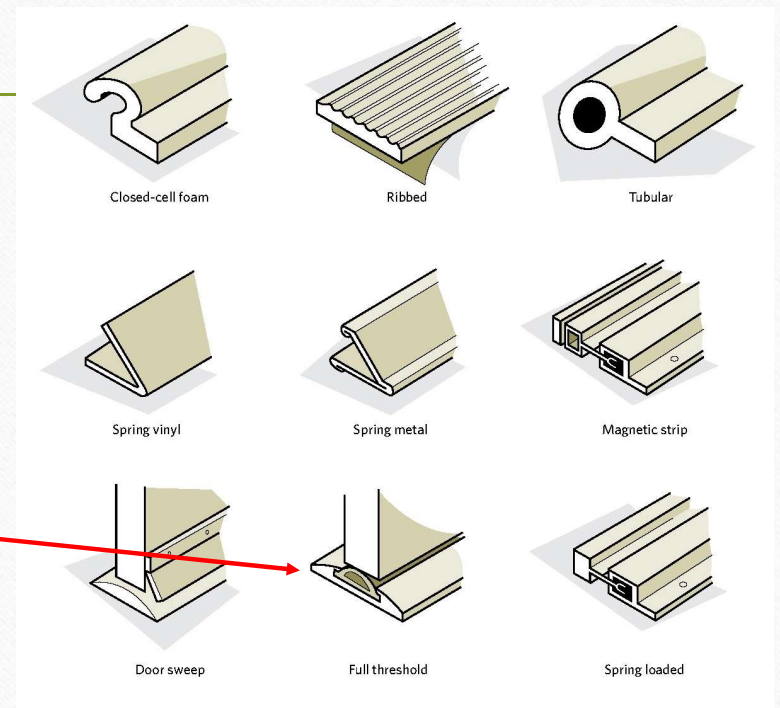
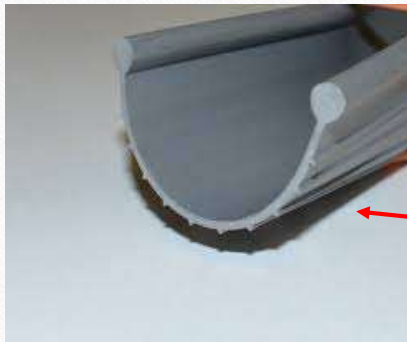
# Installing Doors

- When installing a pre-hung door, factory-installed spacer shims between the door and door frame **should be removed after the door is installed permanently.**



# Parts of an Exterior Door

- Vinyl Bulb Weather-stripping





# Deadbolt Locks

---

- **Double-cylinder deadbolts** requires a key on both sides of the door.



# Installing Windows

---

- A **casing nail** should be used to secure a window to the structure.

