

# TYPES OF STRUCTURAL SYSTEMS

---



# TYPES OF STRUCTURAL SYSTEMS

---

- Reinforced Concrete Structures
- Steel Post-and-Beam with Concrete Structures
- Cold-Formed Steel Framed Structures
- Wooden Post-and-Beam Structures
- Wooden Framed Structures

# REINFORCED CONCRETE STRUCTURES

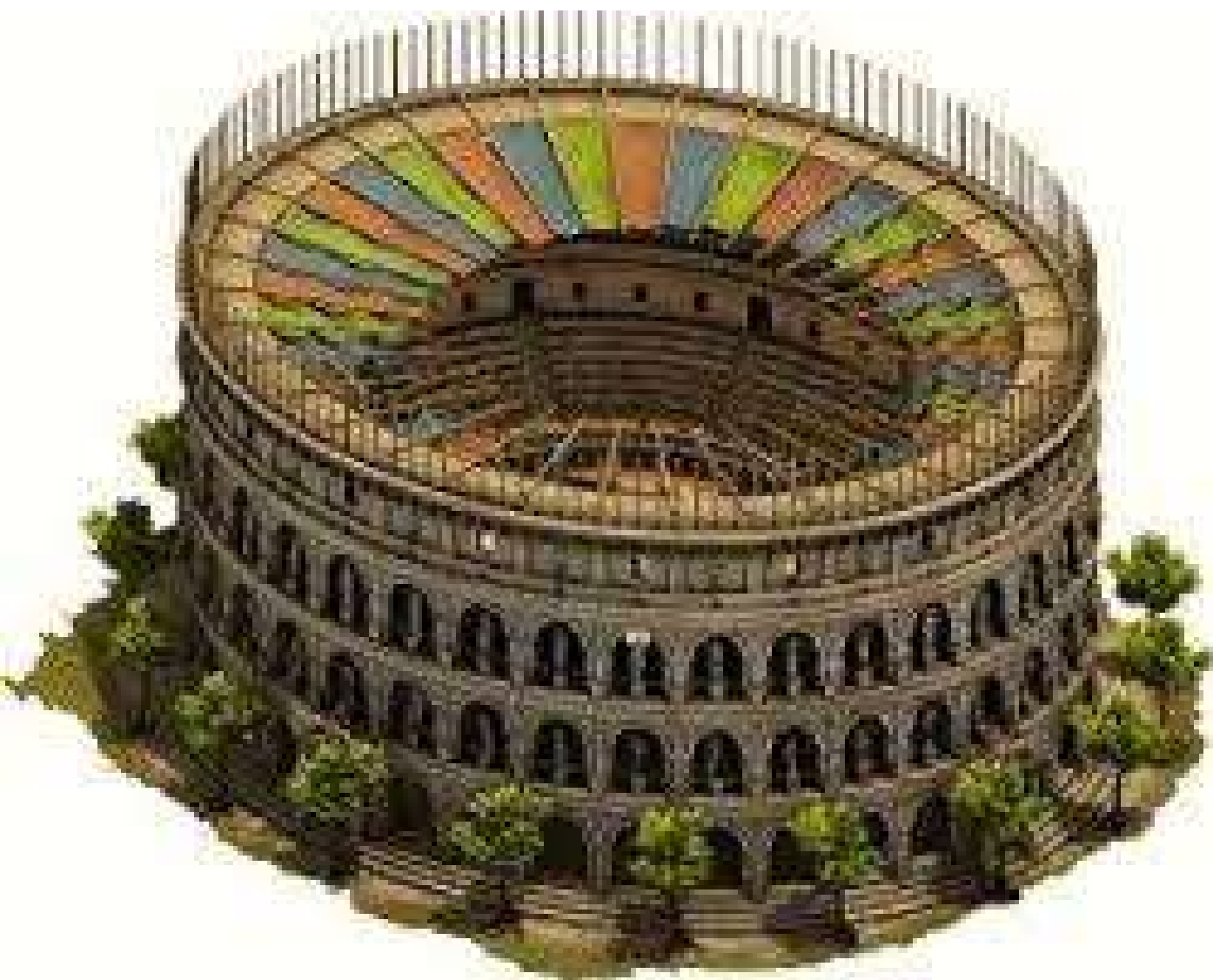
---



# Reinforced Concrete Structures

- Colosseum
  - Roman Concrete





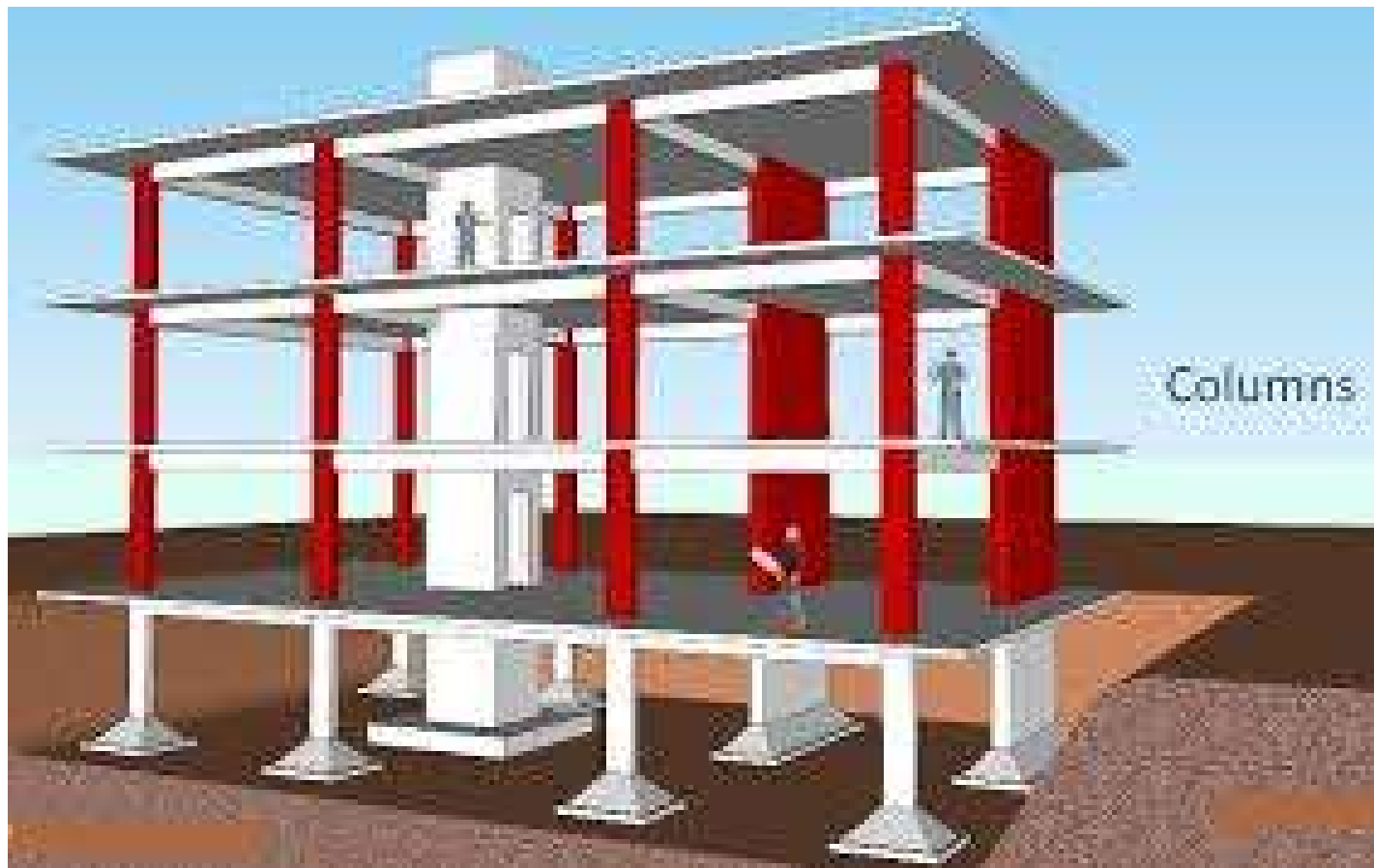
# Reinforced Concrete Structures



# Reinforced Concrete Structures



# Reinforced Concrete Structures





# Reinforced Concrete Structures



# Reinforced Concrete Structures



# Reinforced Concrete Structures



# Reinforced Concrete Structures



# Reinforced Concrete Structures



# Reinforced Concrete Structures



# Reinforced Concrete Structures

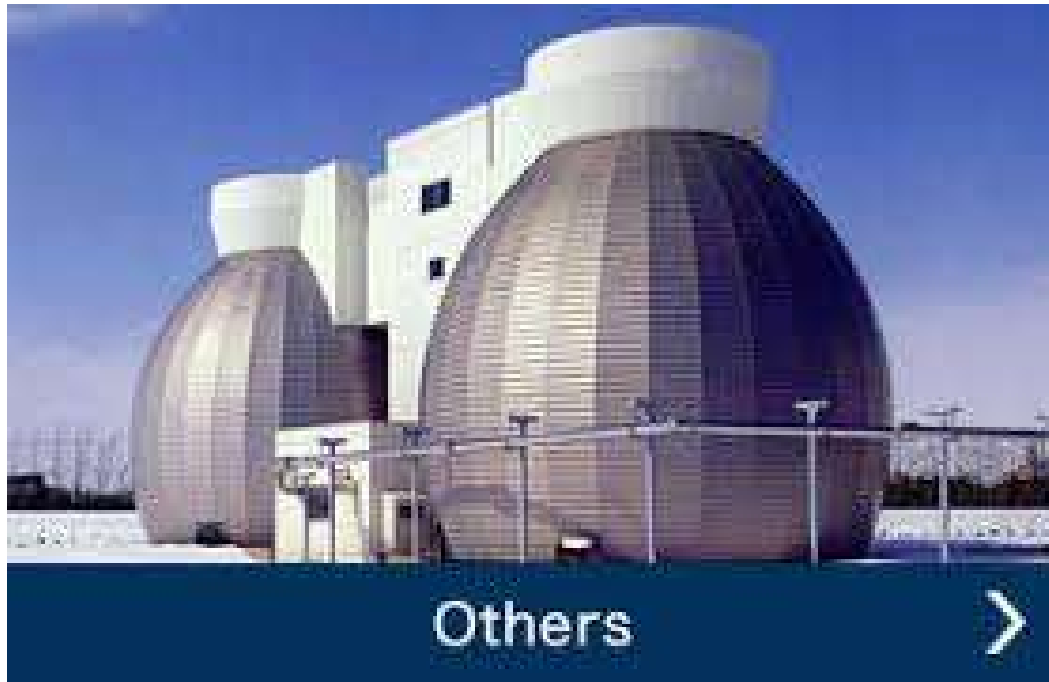


# Reinforced Concrete Structures





# Reinforced Concrete Structures



# Reinforced Concrete Structures



# Reinforced Concrete Structures



# Reinforced Concrete Structures



# Reinforced Concrete Structures



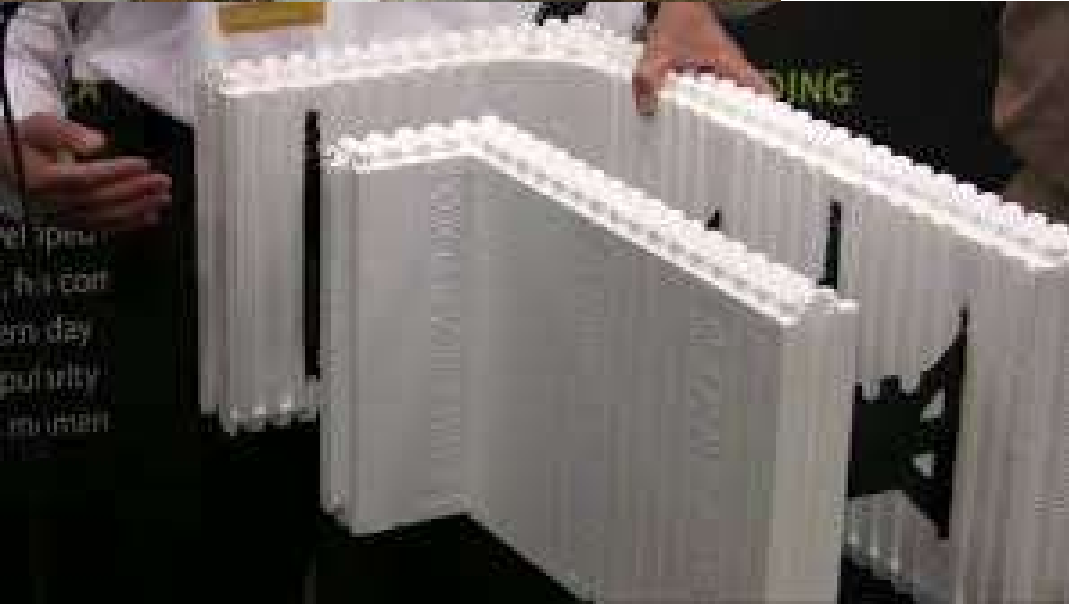
# Reinforced Concrete Structures



# Reinforced Concrete Structures



# Reinforced Concrete Structures





# STEEL POST-AND-BEAM WITH CONCRETE STRUCTURES

---



# Steel Post-and-Beam with Concrete Structures



# Steel Post-and-Beam with Concrete Structures



# Steel Post-and-Beam with Concrete Structures



# Steel Post-and-Beam with Concrete Structures



# COLD-FORMED STEEL FRAMED STRUCTURES

---



# Cold-Formed Steel Framed Structures



# Cold-Formed Steel Framed Structures





# Cold-Formed Steel Framed Structures



# Cold-Formed Steel Framed Structures



# Cold-Formed Steel Framed Structures



# Cold-Formed Steel Framed Structures



# Cold-Formed Steel Framed Structures

## The Concept of Light Gauge Steel Construction

### *Light Gauge Steel Framing Members*

- Steel components are cold-rolled from steel sheet.
- Cold-forming increases metal strength.
- Members are essentially noncombustible equivalents of wood light frame construction.



Principles of Building Construction, Materials & Methods, 10th Edition  
Copyright 2013, Cengage Learning

# Cold-Formed Steel Framed Structures



# Cold-Formed Steel Framed Structures



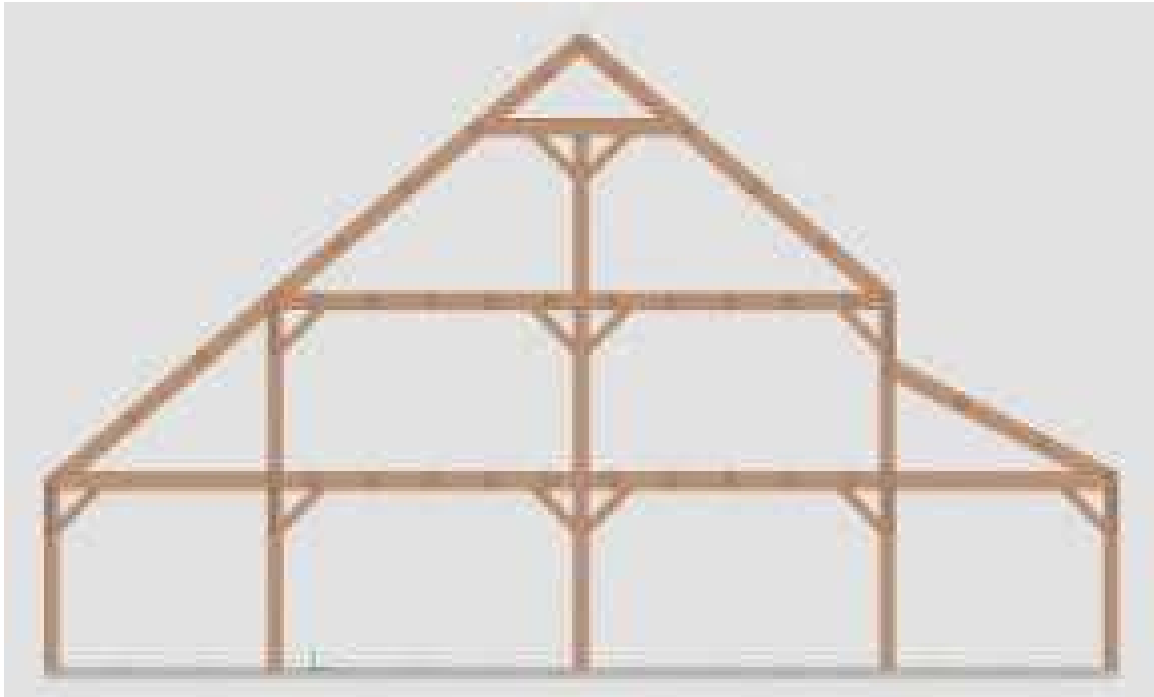
# WOODEN POST-AND-BEAM STRUCTURES

---





# Wooden Post-and-Beam Structures



# Wooden Post-and-Beam Structures



# Wooden Post-and-Beam Structures



# Wooden Post-and-Beam Structures



# Wooden Post-and-Beam Structures



# Wooden Post-and-Beam Structures



# Wooden Post-and-Beam Structures

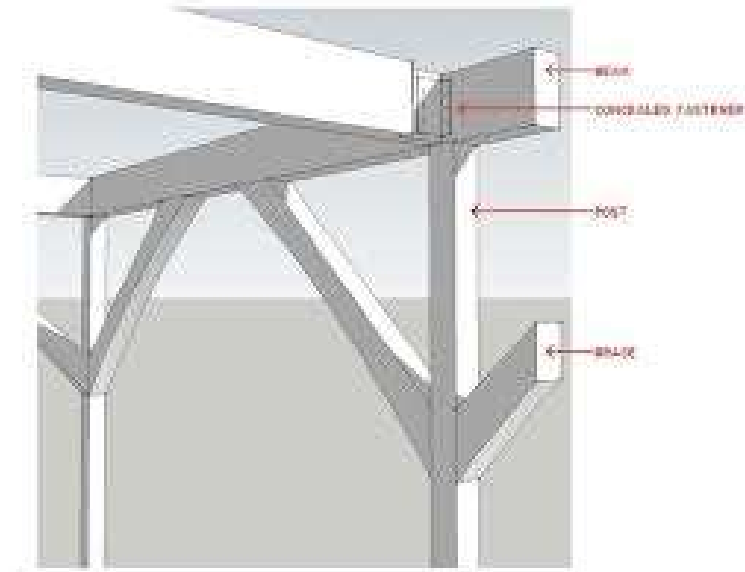
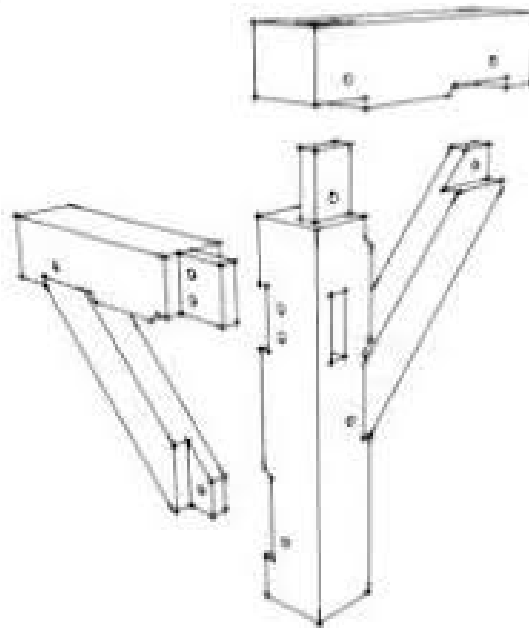
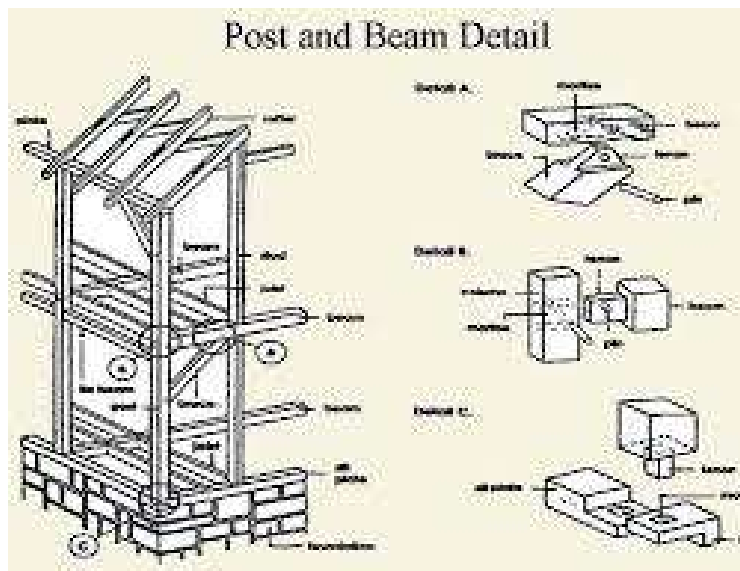


# Wooden Post-and-Beam Structures





# Wooden Post-and-Beam Structures



# Wooden Post-and-Beam Structures



# Wooden Post-and-Beam Structures



# Wooden Post-and-Beam Structures



# Wooden Post-and-Beam Structures

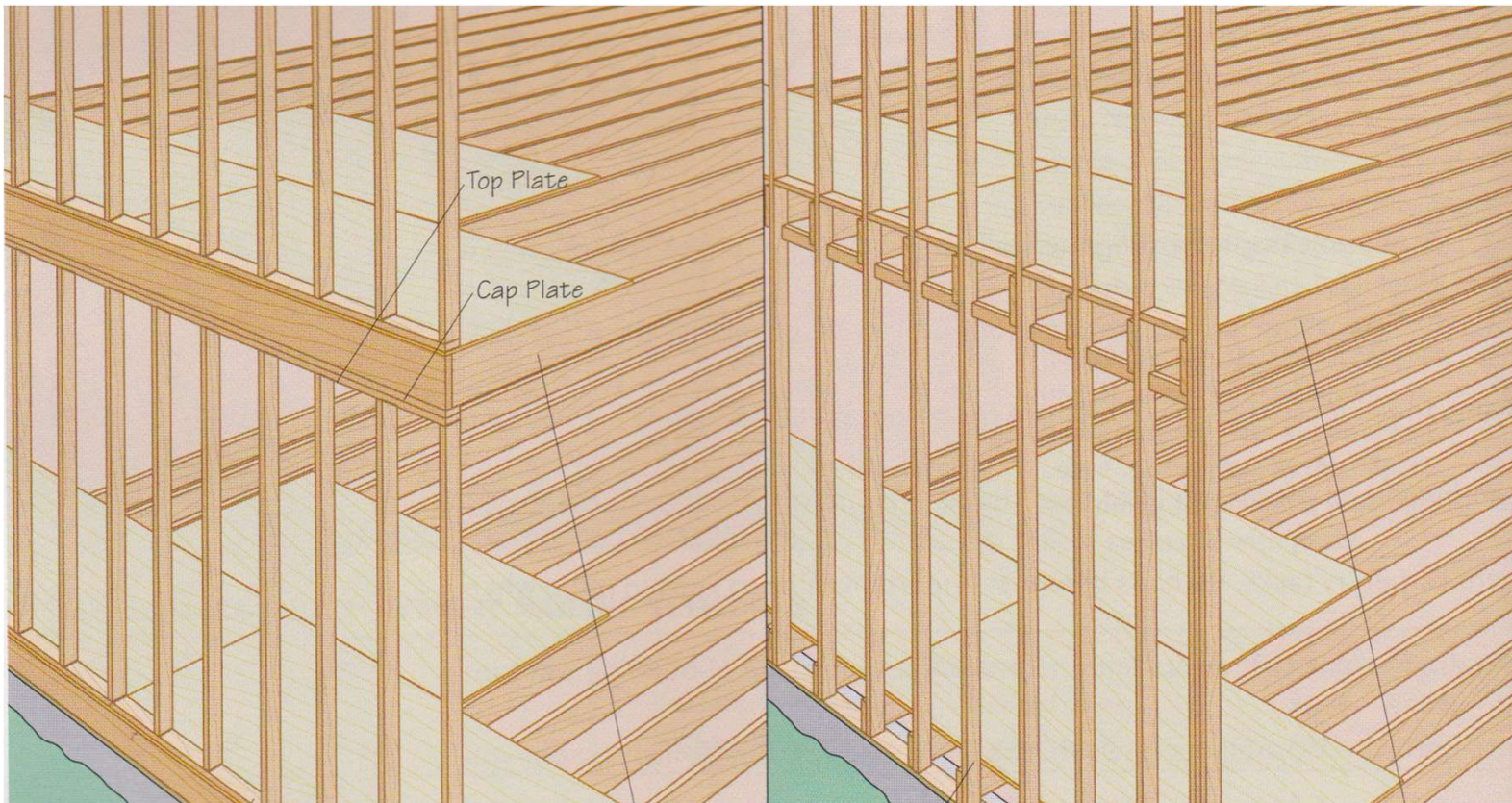


# WOODEN FRAMED STRUCTURES

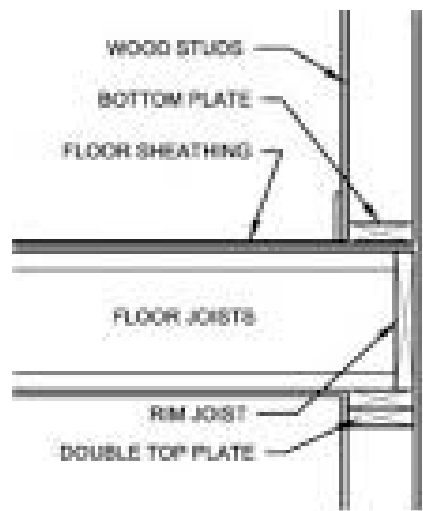
---



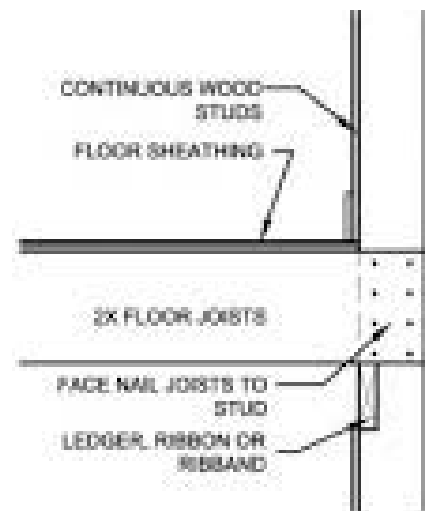
# Platform Framing vs. Balloon Framing



# Platform Framing vs. Balloon Framing



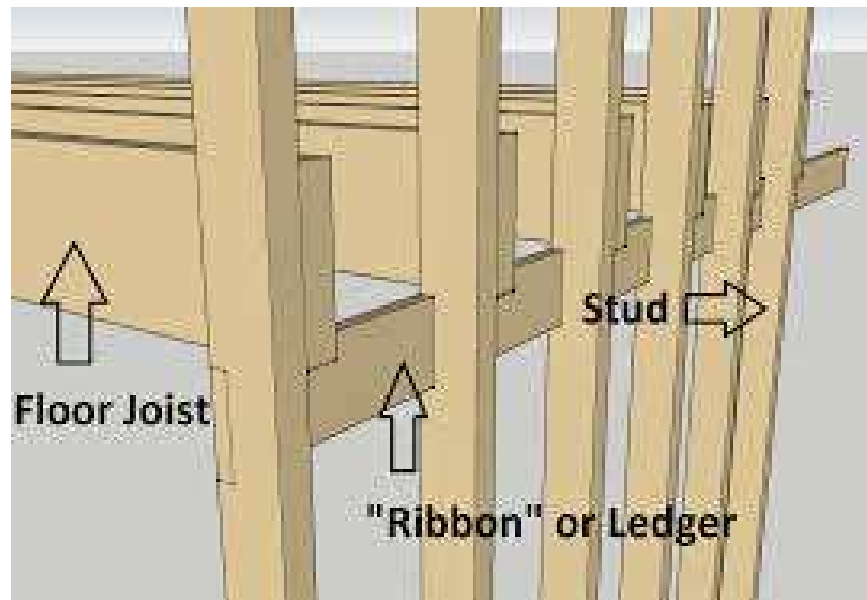
**2** PLATFORM FRAMING  
SCALE: NO SCALE



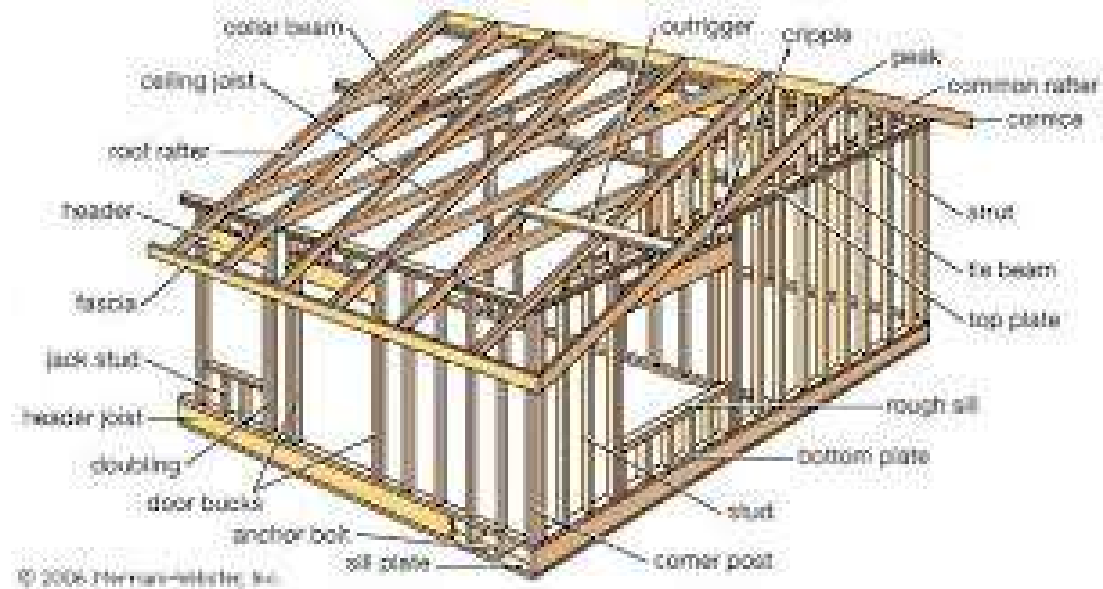
**1** BALLOON FRAMING  
SCALE: NO SCALE



# Balloon Framing



# Wooden Framed Structures



# Wooden Framed Structures



# Wooden Framed Structures



# Wooden Framed Structures



# Wooden Framed Structures



# Wooden Framed Structures



# Wooden Framed Structures





# Wooden Framed Structures



# Wooden Framed Structures



# Wooden Framed Structures



# Wooden Framed Structures



# Wooden Framed Structures

