

TYPES OF STRUCTURAL SYSTEMS



TYPES OF STRUCTURAL SYSTEMS

- Reinforced Concrete Structures
- Steel Post-and-Beam with Concrete Structures
- Cold-Formed Steel Framed Structures
- Wooden Post-and-Beam Structures
- Wooden Framed Structures

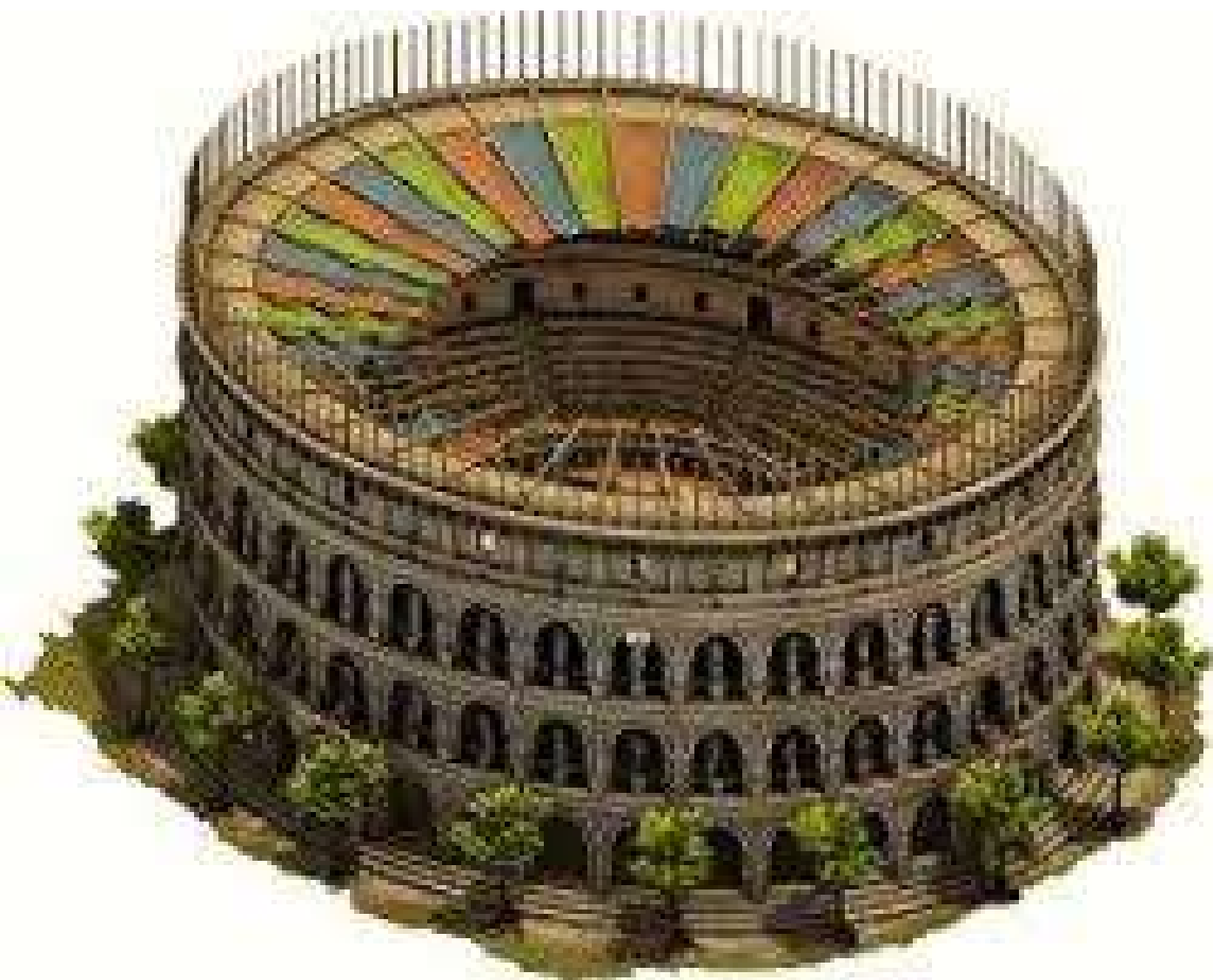
REINFORCED CONCRETE STRUCTURES



Reinforced Concrete Structures

- Colosseum
 - Roman Concrete





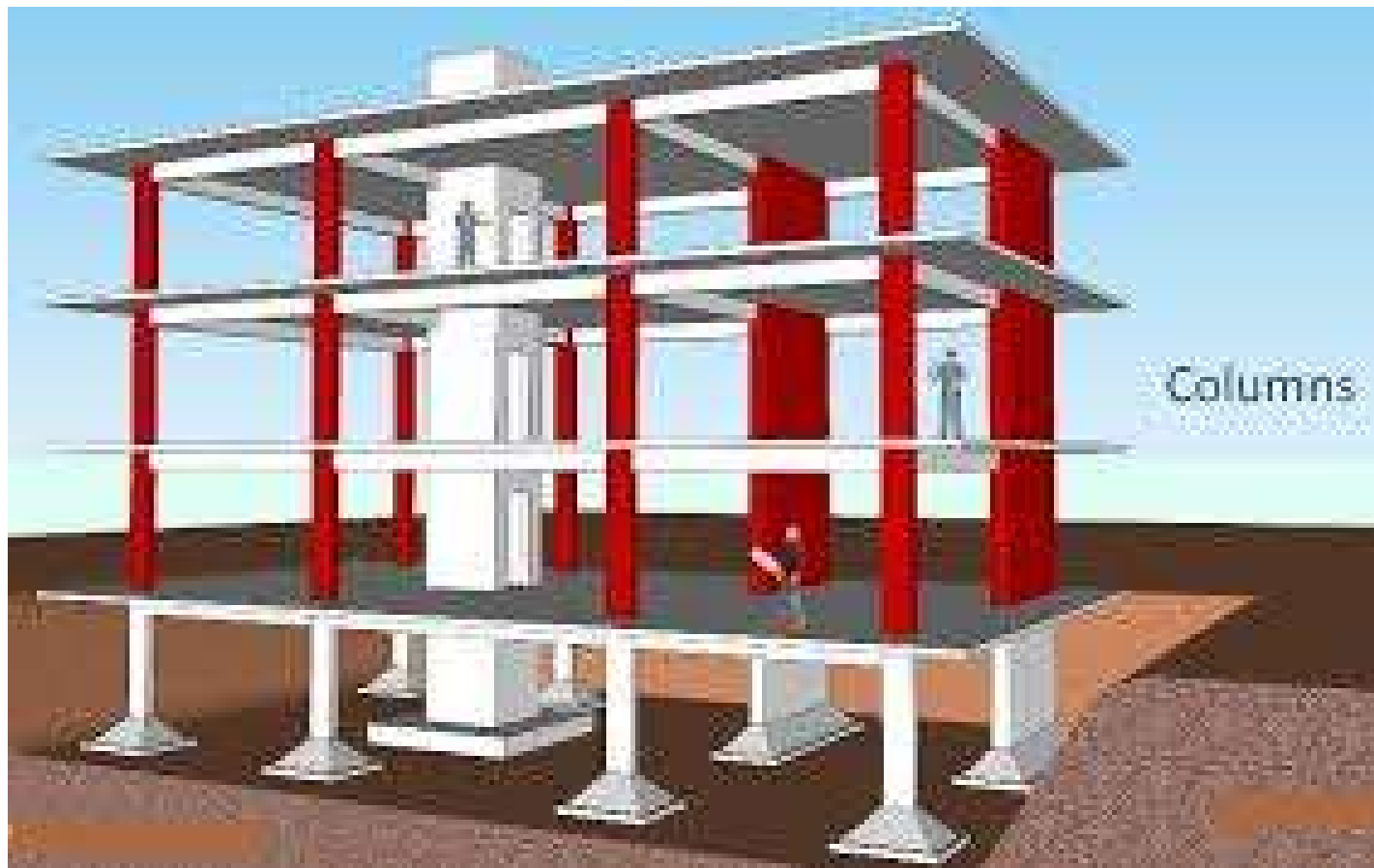
Reinforced Concrete Structures



Reinforced Concrete Structures



Reinforced Concrete Structures



Reinforced Concrete Structures



Reinforced Concrete Structures



Reinforced Concrete Structures



Reinforced Concrete Structures



Reinforced Concrete Structures



Reinforced Concrete Structures



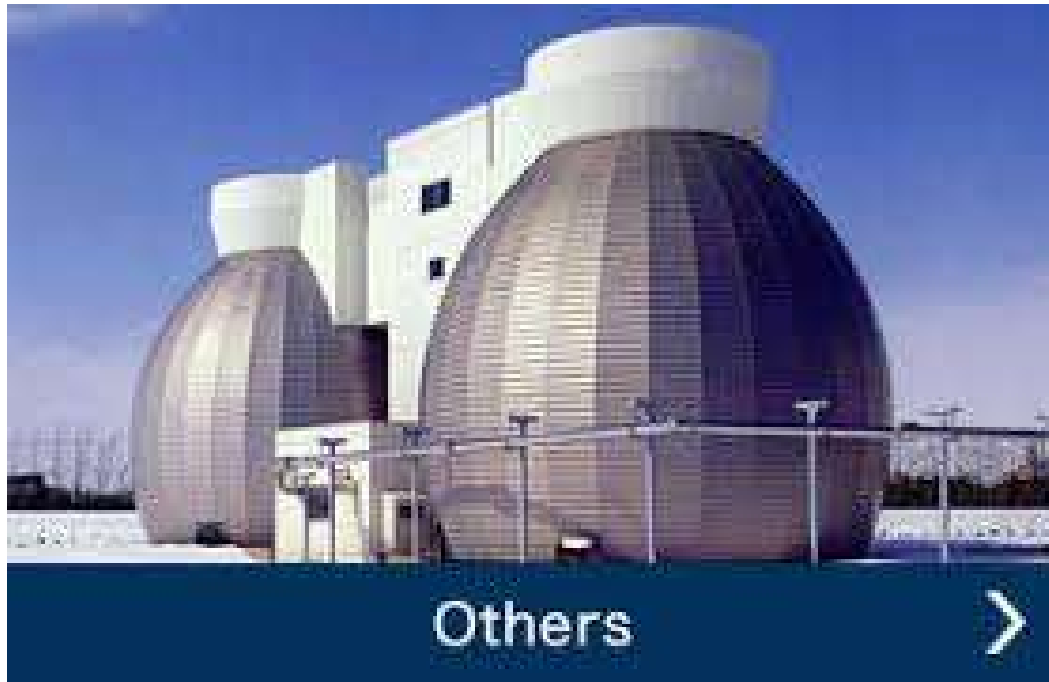
Reinforced Concrete Structures



Reinforced Concrete Structures



Reinforced Concrete Structures



Reinforced Concrete Structures



Reinforced Concrete Structures



Reinforced Concrete Structures



Reinforced Concrete Structures



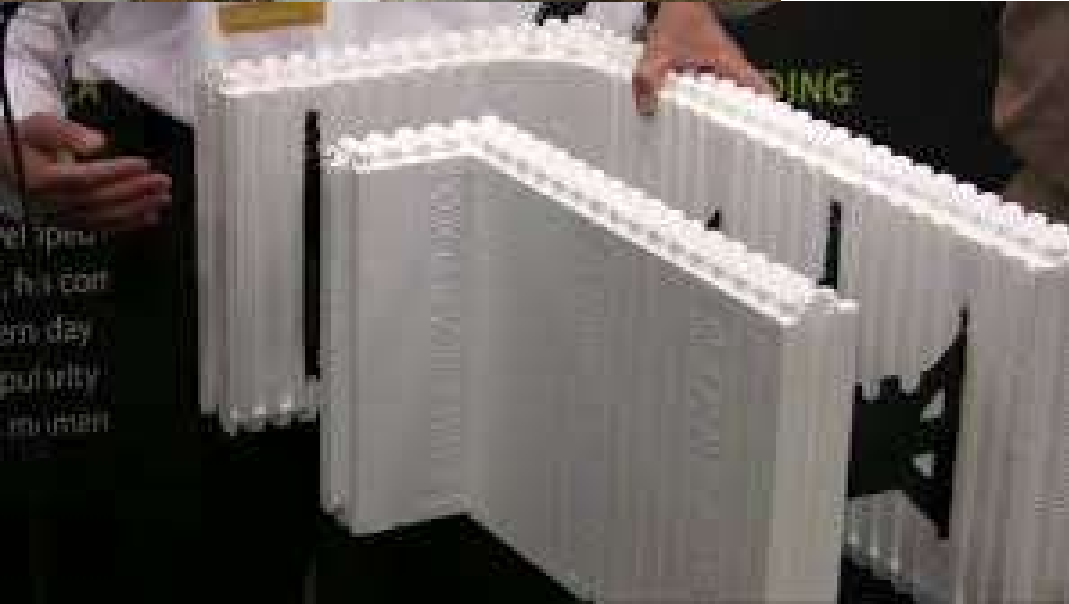
Reinforced Concrete Structures



Reinforced Concrete Structures



Reinforced Concrete Structures



STEEL POST-AND-BEAM WITH CONCRETE STRUCTURES



Steel Post-and-Beam with Concrete Structures



Steel Post-and-Beam with Concrete Structures



Steel Post-and-Beam with Concrete Structures



Steel Post-and-Beam with Concrete Structures



COLD-FORMED STEEL FRAMED STRUCTURES



Cold-Formed Steel Framed Structures



Cold-Formed Steel Framed Structures



Cold-Formed Steel Framed Structures



Cold-Formed Steel Framed Structures



Cold-Formed Steel Framed Structures



Cold-Formed Steel Framed Structures



Cold-Formed Steel Framed Structures

The Concept of Light Gauge Steel Construction

Light Gauge Steel Framing Members

- Steel components are cold-rolled from steel sheet.
- Cold-forming increases metal strength.
- Members are essentially noncombustible equivalents of wood light frame construction.



Proceedings of Building Construction, Materials & Methods, 2nd Edition
Copyright © 2010, CRC Press, Inc.

Cold-Formed Steel Framed Structures



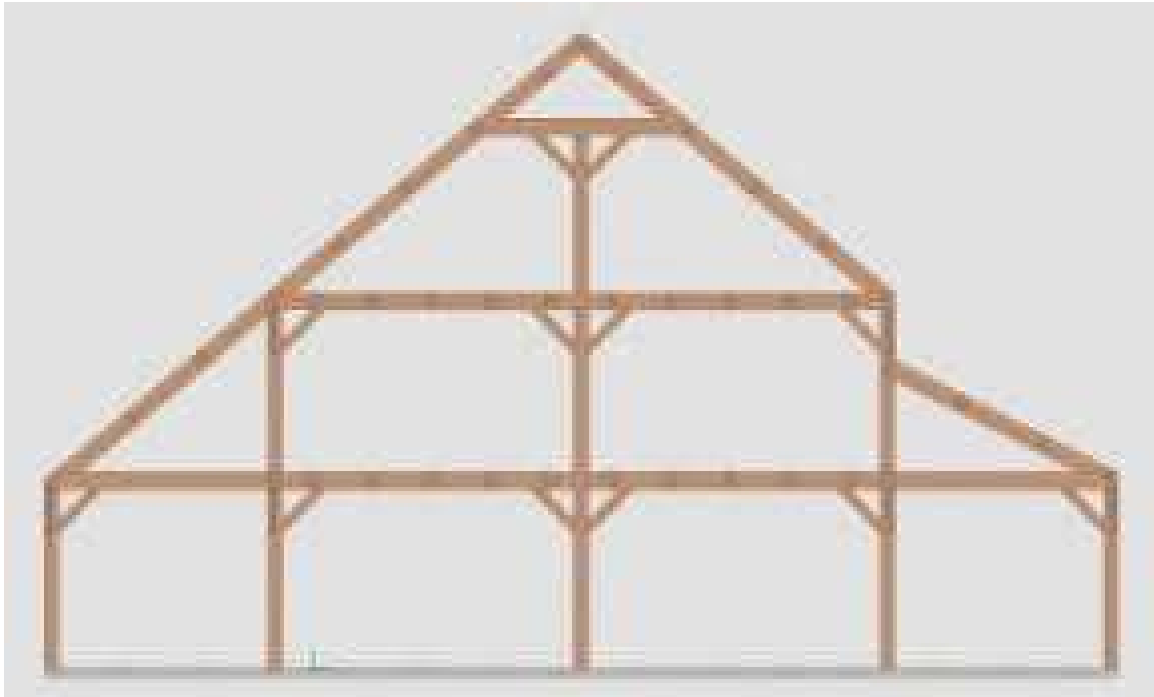
Cold-Formed Steel Framed Structures



WOODEN POST-AND-BEAM STRUCTURES



Wooden Post-and-Beam Structures



Wooden Post-and-Beam Structures



Wooden Post-and-Beam Structures



Wooden Post-and-Beam Structures



Wooden Post-and-Beam Structures



Wooden Post-and-Beam Structures



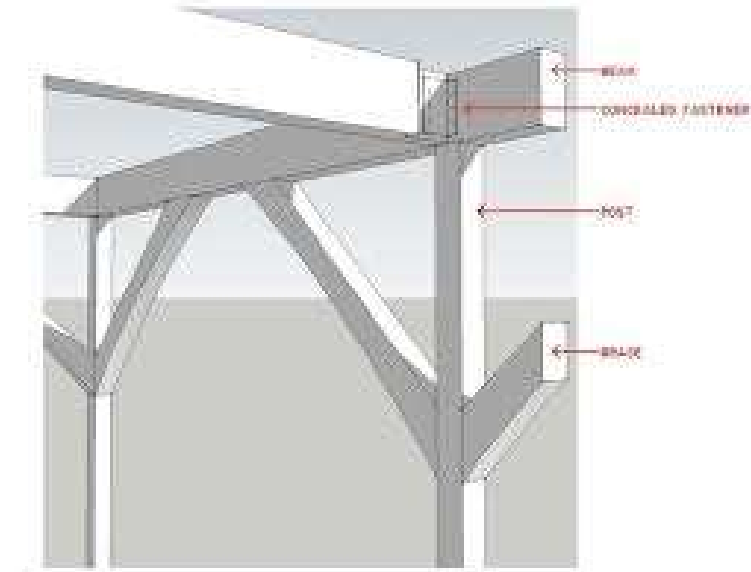
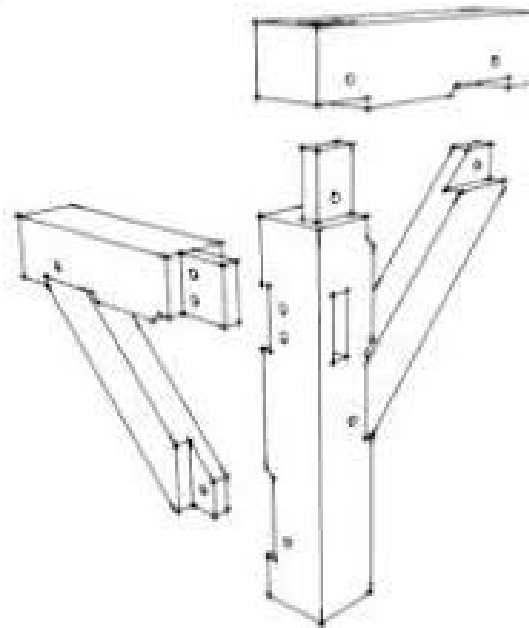
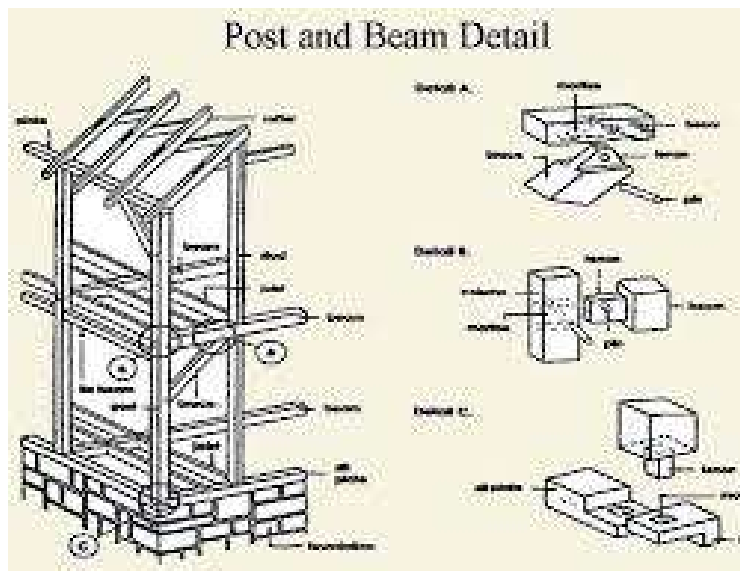
Wooden Post-and-Beam Structures



Wooden Post-and-Beam Structures



Wooden Post-and-Beam Structures



Wooden Post-and-Beam Structures



Wooden Post-and-Beam Structures



Wooden Post-and-Beam Structures



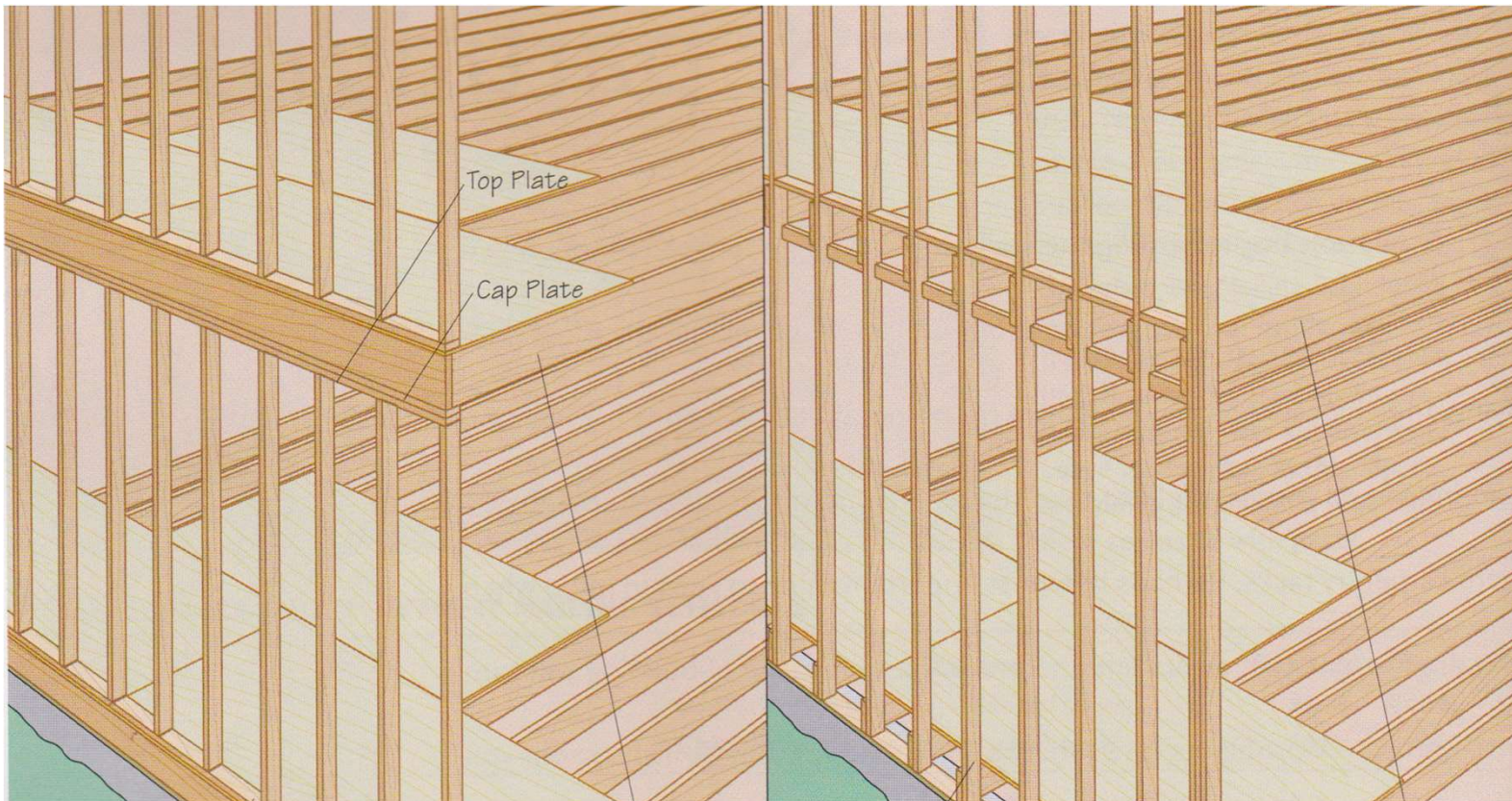
Wooden Post-and-Beam Structures



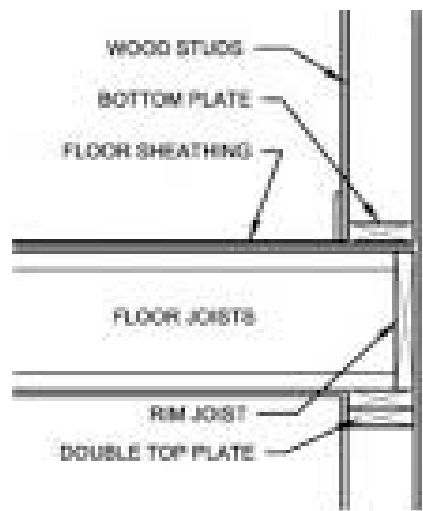
WOODEN FRAMED STRUCTURES



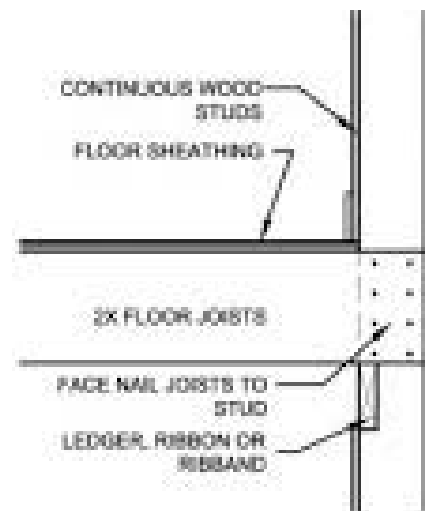
Platform Framing vs. Balloon Framing



Platform Framing vs. Balloon Framing

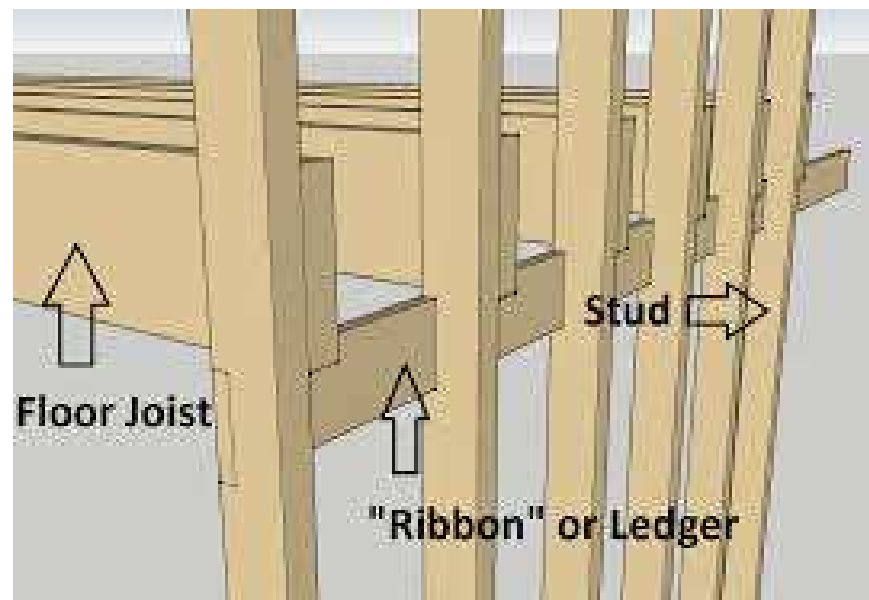


2 PLATFORM FRAMING
SCALE: NO SCALE

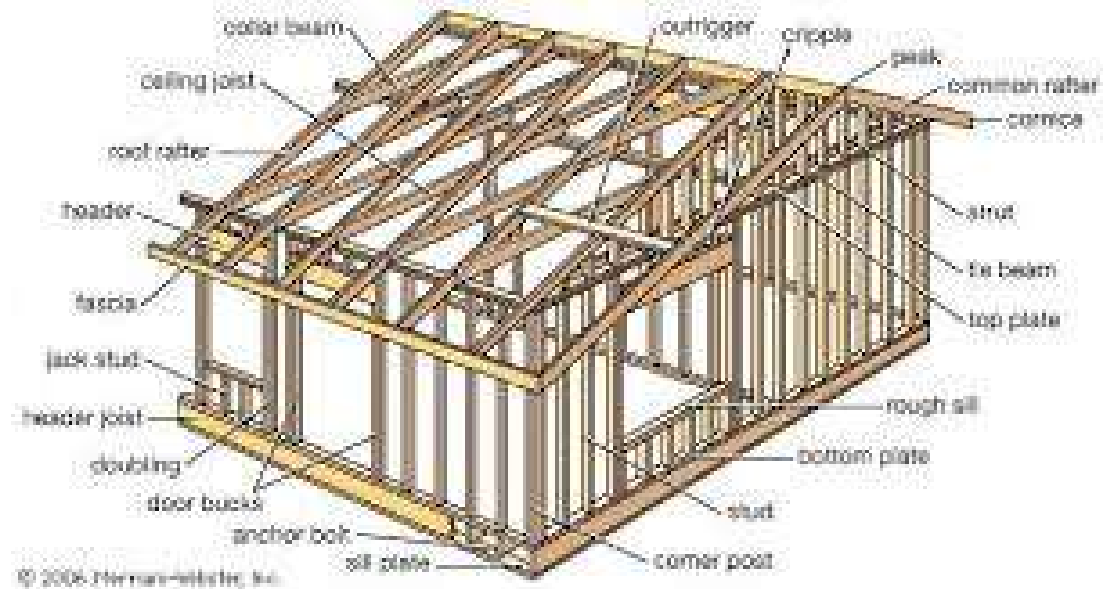


1 BALLOON FRAMING
SCALE: NO SCALE

Balloon Framing



Wooden Framed Structures



Wooden Framed Structures



Wooden Framed Structures



Wooden Framed Structures



Wooden Framed Structures



Wooden Framed Structures



Wooden Framed Structures



Wooden Framed Structures



Wooden Framed Structures



Wooden Framed Structures



Wooden Framed Structures



Wooden Framed Structures

